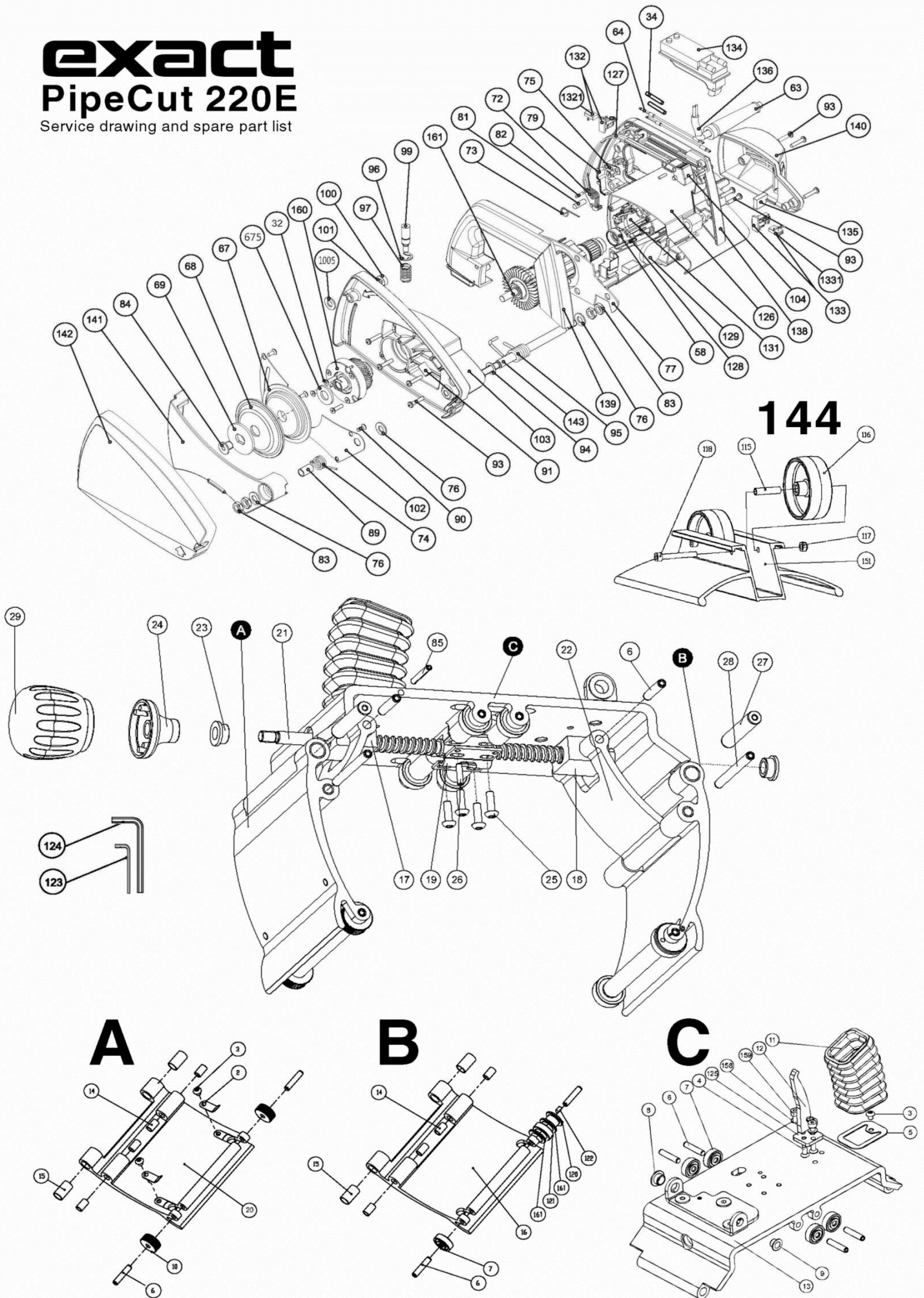


exact PipeCut 220E

Service drawing and spare part list



Exact PipeCut 220E

| Pos. | Part n:o | Description | Pcs/unit |
|------|-----------|---------------------------------|----------|
| 2 | 10994-00 | Ratchet spring | 2 |
| 3 | 590872-09 | Cap head screw M5x8 ISO 7380 | 3 |
| 4 | 10080-01 | Screw M5X12 DIN 7991 black | 2 |
| 5 | 11852-00 | Bellows base plate 220E | 1 |
| 6 | 11001-01 | Dowel pin 6x28 | 12 |
| 7 | 11010-00 | Ball bearing SA | 5 |
| 8 | 11566-00 | Flange bearing GFM-1012-09 | 1 |
| 9 | 11567-00 | Flange bearing GFM-0810-05 | 1 |
| 10 | 10908-02 | Guidance wheel 22 mm | 1 |
| 105 | 10908-25 | Guidance wheel 22,8 mm | 1 |
| 11 | 11497-00 | Protection bellows | 1 |
| 12 | 11850-00 | Counter peg 220 | 1 |
| 125 | 11851-00 | Counter peg holder 220 | 1 |
| 13 | 11855-00 | Body profile220 painted | 1 |
| 14 | 10955-02 | Sliding bearing (GSM-0608-13) | 8 |
| 15 | 10955-01 | Sliding bearing (GSM1012-20) | 4 |
| 16 | 10906-00 | Turning profile RH | 1 |
| 19 | 10910-30 | Attachment block | 2 |
| 20 | 11011-00 | Turning profile LH | 1 |
| 21a | 11664-00 | Trapeze 220E,200 and nuts 17,18 | 1 |
| 22 | 10915-00 | Pulling profile painted | 2 |
| 23 | 10916-00 | Screw support sleeve | 1 |
| 24 | 10914-00 | Rotary protector | 1 |
| 25 | 590872-10 | Cap head screw M5x16 ISO 7380 | 4 |
| 26 | 911258 | Spring pin (Rolled pin) | 1 |
| 27 | 11001-04 | Dowel pin 10x50 | 4 |
| 28 | 11001-03 | Dowel pin | 4 |
| 29 | 10913-00 | Knob | 1 |
| 32 | 11721-10 | Screw M4x16 ISO14581 TX20 | 3 |
| 34 | 11616-20 | Silicon tube | 3 |
| 58 | 11555-00 | Rubber bushing | 1 |
| 63 | 10951-10 | Protective cable sleeving | 1 |
| 64 | 11574-50 | Field cable extension | 1 |
| 67 | 11543-00 | Blade flange 80mm | 1 |
| 675 | 10884-00 | Washer grinded 15/21/0,2 | 1 |
| 68 | 11542-00 | Attachment flange | 1 |
| 69 | 10944-01 | Pulling flange washer | 1 |
| 72 | 11571-00 | Locking lever | 1 |
| 73 | 11553-00 | Lock Hook Spring | 1 |
| 74 | 11551-00 | Blade guard spring | 1 |
| 75 | 378975 | Cable clamp | 1 |
| 76 | 249223-00 | Washer 8,4x16 DIN125A | 3 |
| 77 | 11540-00 | Air deflector | 1 |
| 79 | 10986-00 | PT Screw 4x8 T20 | 2 |
| 81 | 10983-02 | Dowel pin 6x18 | 1 |
| 82 | 10983-01 | Dowel pin 3x12 | 2 |
| 83 | 10985-00 | Hex nut M8x1 DIN439 | 4 |
| 84 | 10987-01 | Blade Screw M10x10 BN 1206 | 1 |
| 89 | 11562-00 | Lower Blade Guard Bushing | 1 |
| 90 | 11898-00 | Self tapping screw 3,9x13 | 4 |
| 91 | 11541-00 | Elastic Bar | 1 |
| 93 | 10986-03 | PT Screw 4x20 T20 | 14 |

| Pos. | Part n:o | Description | Pcs/unit |
|------|-----------|---|----------|
| 94 | 744361 | Washer 10x16/0,5 zn white | 1 |
| 95 | 11550-00 | Lifting spring | 1 |
| 96 | 10273-00 | Circlip 8 Fe DIN 6799 | 1 |
| 97 | 11552-00 | Spindle lock spring | 1 |
| 99 | 11546-00 | Spindle locks axis | 1 |
| 100 | 11681-00 | Blade guard M6x30 screw | 1 |
| 1005 | 11680-00 | Rubber protection | 1 |
| 101 | 11133-00 | Spring washer 6,4/11 zn white | 1 |
| 102 | 11854-00 | Blade guard plate | 1 |
| 103 | 11508-00 | Gearcase machined | 1 |
| 104 | 11538-00 | Locking lever | 1 |
| 115 | 11006-00 | Holder wheel axis 8X1X31 | 8 |
| 116 | 11007-10 | Holder wheel | 8 |
| 117 | 744628 | Nut, protective M6 DIN 985 | 8 |
| 118 | 590872-02 | Screw M6x45 ISO 7380 | 8 |
| 120 | 11118-50 | Eccentric fi22 | 1 |
| 121 | 11119-50 | Eccentric wheel pc220 | 1 |
| 122 | 11570-00 | Lock screw M4x6 DIN913 | 1 |
| 123 | 11121-00 | Allen key 2 BLACK | 1 |
| 124 | 725927 | Allen key 5 BLACK | 1 |
| 126 | 11526-00 | Motor Body - GREY | 1 |
| 127 | 11539-00 | Draw bar | 1 |
| 128 | 11556-00 | Temperature Sensor | 1 |
| 129 | 11573-01 | Electronics Unit 230V SA | 1 |
| 129 | 11573-51 | Electronics Unit 100 - 120V SA | 1 |
| 131 | 11554-00 | Field Coil 100 - 230V E SA | 1 |
| 132 | 11587-50 | Brush Holder SWU 100 - 120V | 1 |
| 132 | 11559-50 | Brush Holder SWU 230V | 1 |
| 1321 | 11625-50 | Brush 100-120 | 2 |
| 1321 | 11624-50 | Brush 230V | 2 |
| 133 | 11587-00 | Brush Holder 100 - 120V | 1 |
| 133 | 11559-00 | Brush Holder 230V | 1 |
| 1331 | 11625-50 | Brush 100-120 | 2 |
| 1331 | 11624-50 | Brush 230V | 2 |
| 134 | 11797-00 | Electric switch Marquard | 1 |
| 135 | 11560-00 | Speed Sensor | 1 |
| 136 | 10949-01 | Power cord EU | 1 |
| 136 | 11021-01 | Power cord UK 3-pin round | 1 |
| 136 | 11023-11 | Power cord US | 1 |
| 138 | 11530-00 | Motor frame handle left GREY | 1 |
| 139 | 11534-00 | Motor frame handle right GREY | 1 |
| 140 | 11518-00 | End cap E Grey | 1 |
| 141 | 11515-10 | Lower Blade Guard imperial grey not printed | 1 |
| 141 | 11782-00 | Lower Blade Guard grey - printed | 1 |
| 142 | 11849-00 | Blade guard top - E EXACT | 1 |
| 143 | 11545-00 | Main axis | 1 |
| 144 | 11009-10 | Pipe support 280 | 4 |
| 145 | 10973-11 | PipeCut Bag 3 | 1 |
| 158 | 249222-00 | Washer 5,3 din 125 zn black | 2 |
| 159 | 10976-02 | Screw m5x10 din 912 zn white | 2 |
| 160 | 11612-50 | Secondary cogwheel SA | 1 |
| 161 | 11610-00 | Armature E 110-120V with bearing | 1 |
| 161 | 11608-00 | Armature E 230V with bearing | 1 |